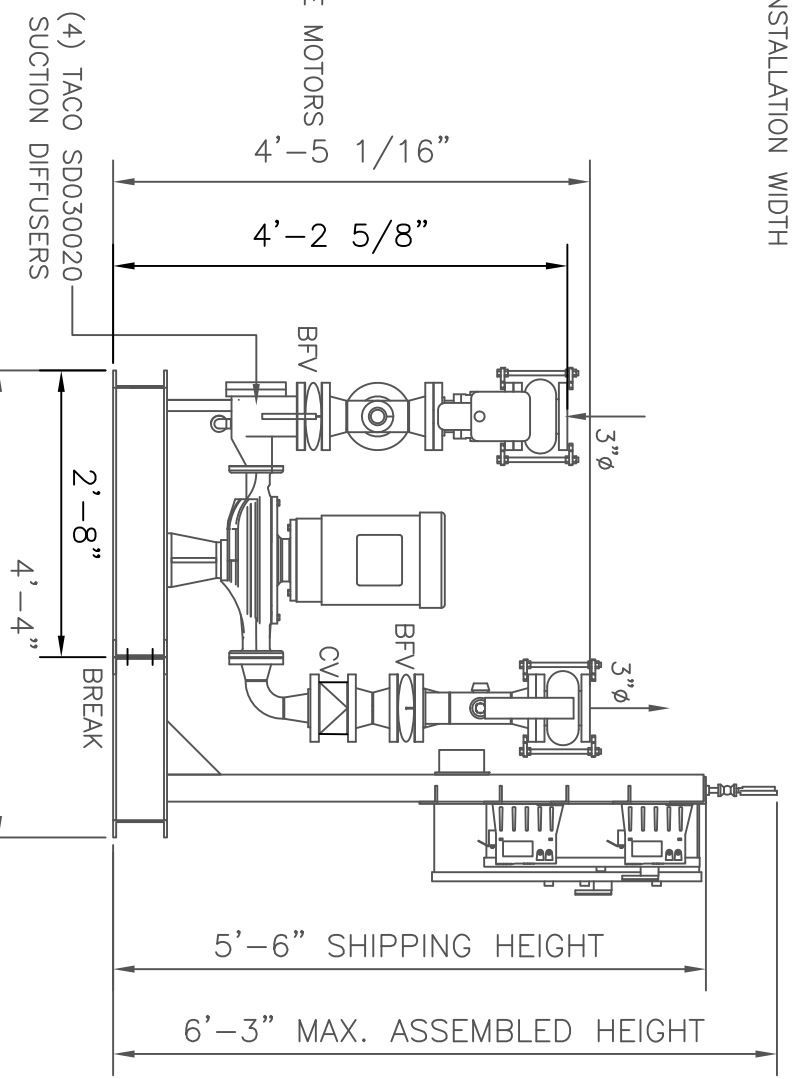


(4) TACO KV2011 PUMPS  
7.5 H.P. @ 1800 RPM ODP/PE MOTORS  
208/3/60 Hz.

(4) ABB ACS-320 VFD'S  
7.5 H.P. NEMA 1



(4) TACO SD030020  
SUCTION DIFFUSERS

4'-5 1/16"

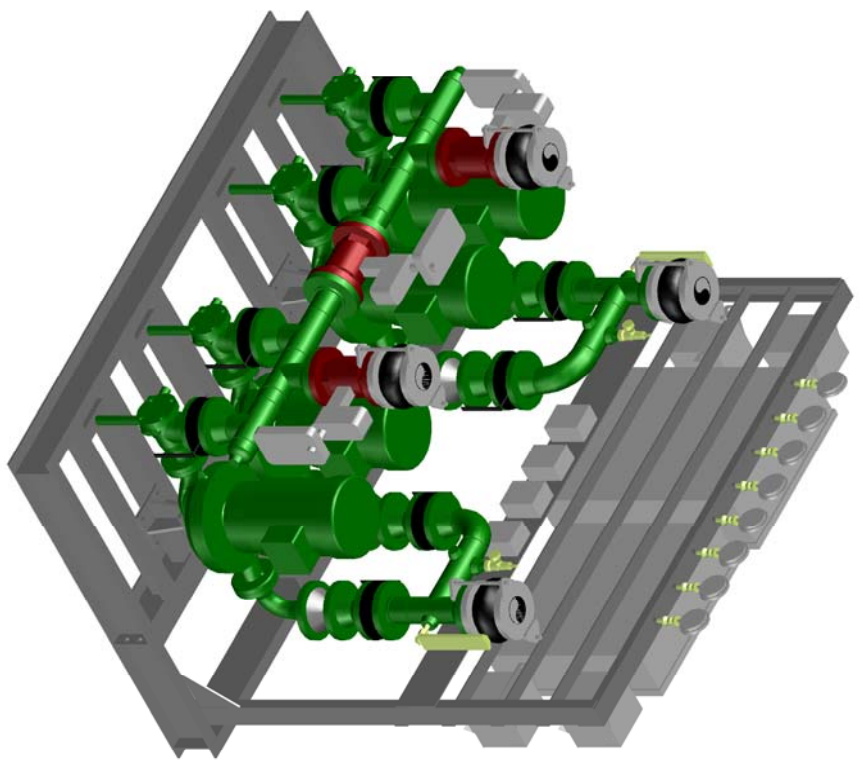
4'-2 5/8"

2'-8"

4'-4"

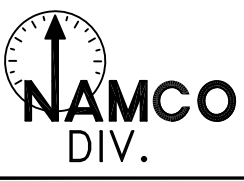
5'-6" SHIPPING HEIGHT

6'-3" MAX. ASSEMBLED HEIGHT



**NOTES:**

- (1) 3"  $\phi$  ACTUATED CONTROL VALVE (V-4) IS FOR FIELD INSTALL AND WIRE BY CONTRACTOR
- (2) SYSTEM SKID IS 2 PIECE (BOLTED) FOR LIMITED INSTALLATION WIDTH



NO.	REVISION	DATE	BY	APR

© COPYRIGHT  
THIS DRAWING IS THE PROPERTY OF  
NAMCO DIV. OF JOHN R. NEAL &  
ASSOCIATES INC. DALLAS, TEXAS ITS  
USE WITHOUT THE EXPRESS WRITTEN  
PERMISSION IS PROHIBITED.

**ETM412-102-VFD**

ENG. RECORD	DATE
DRAWN BY RDO	04/28/14
CHECKED	
APPROVED	5/14
APPROVED	
SCALE NONE	

<b>ETM400-30-VFD</b>	
JOB NO.	N-3167
DRAWING NO.	14-00020
REV.	1