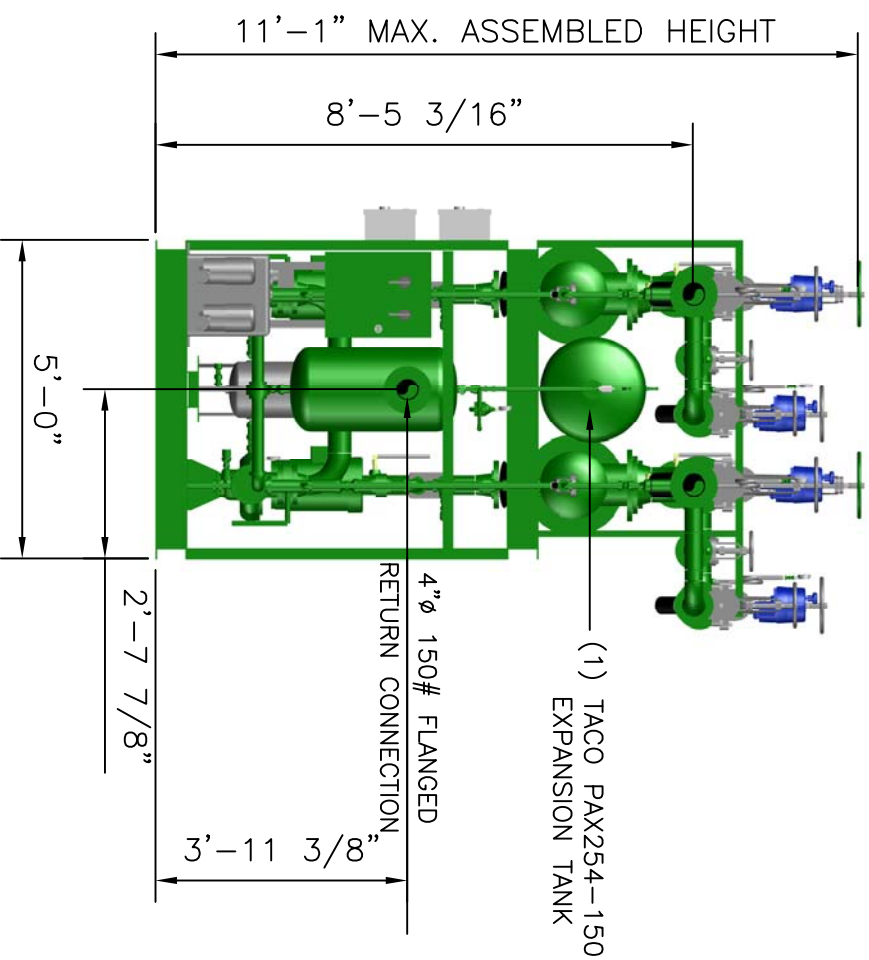
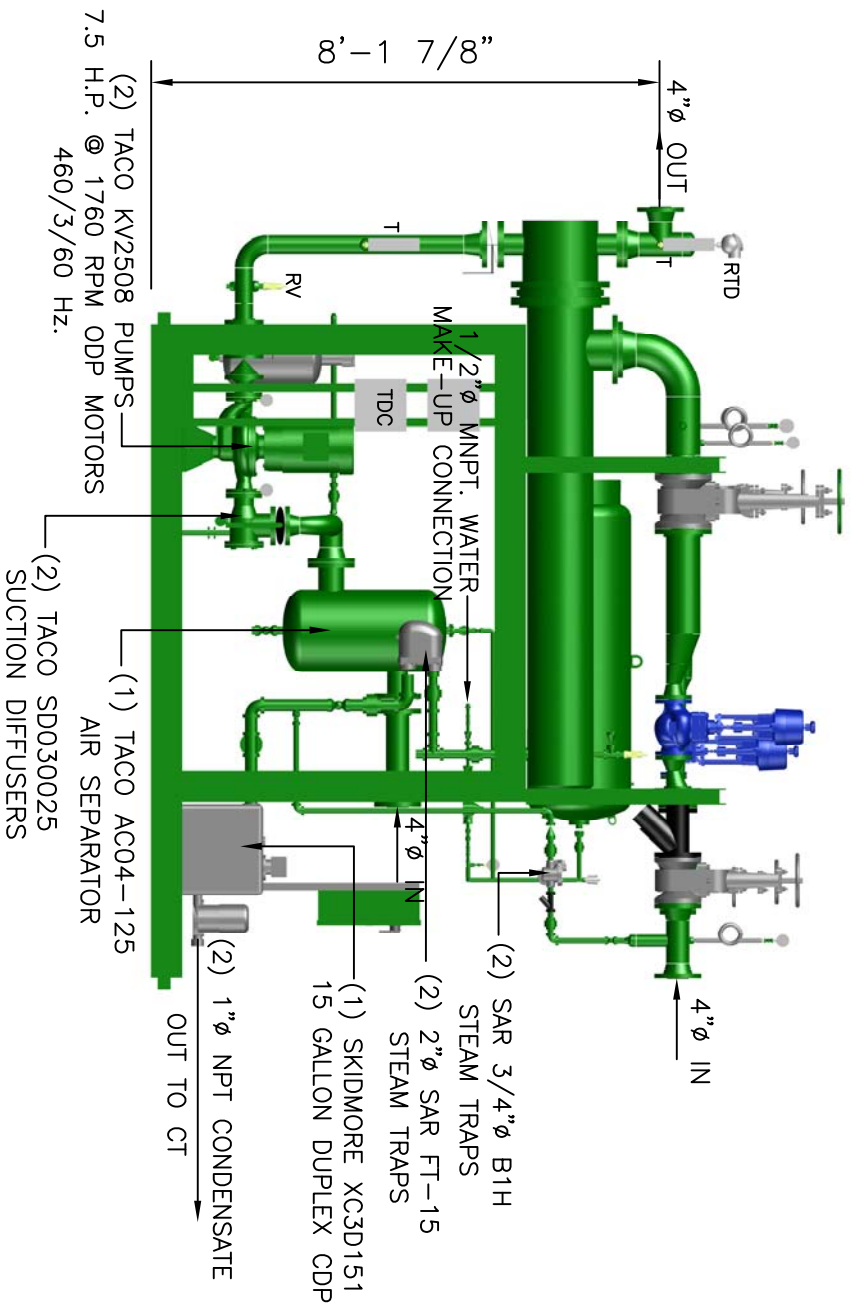


NOTE:
CONTROL PANEL/VFD'S
REMOTE INSTALLED BY OTHERS



NO.	REVISION	DATE	BY	APR

© COPYRIGHT
THIS DRAWING IS THE PROPERTY OF
NAMCO DIV. OF JOHN R. NEAL &
ASSOCIATES INC. DALLAS, TEXAS ITS
USE WITHOUT THE EXPRESS WRITTEN
PERMISSION IS PROHIBITED.

ENG. RECORD	DATE
DRAWN BY RDO	07/28/15
CHECKED	
APPROVED	
APPROVED	
SCALE NONE	

HMT215-39S	
JOB NO.	N-
DRAWING NO.	15-00034
REV.	0