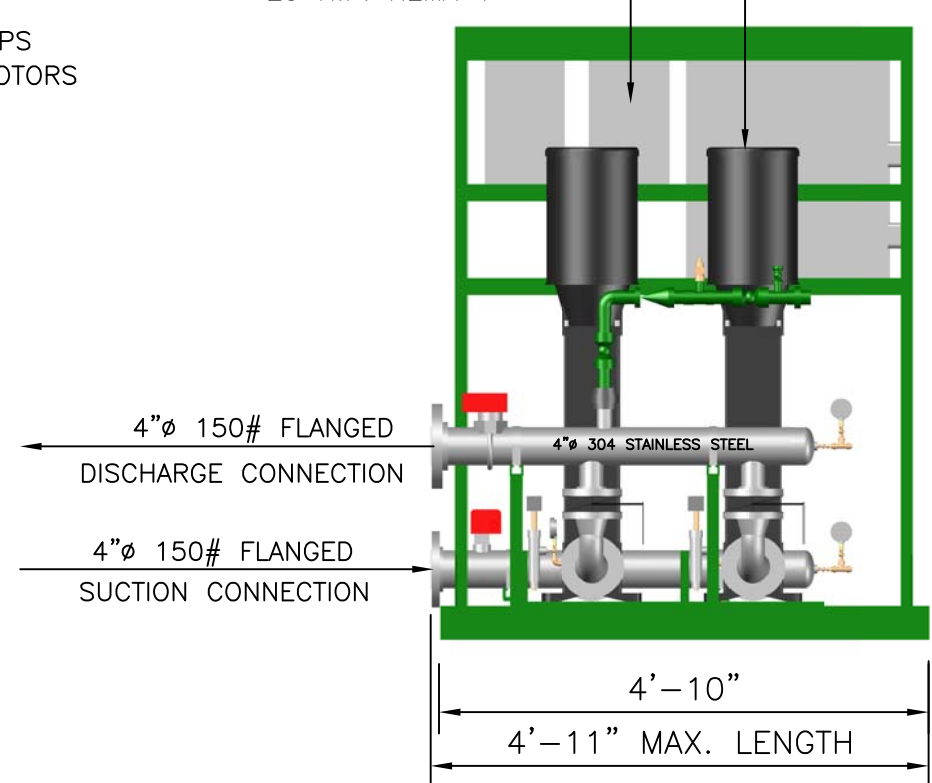
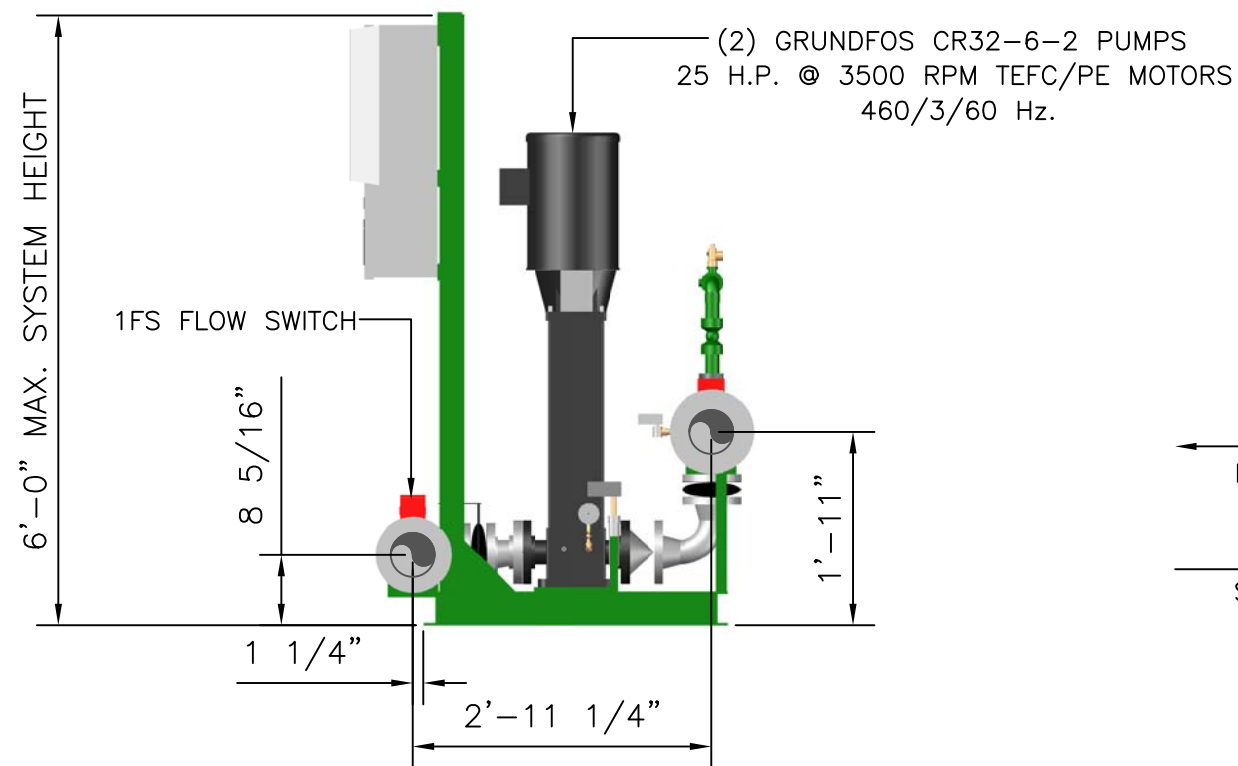


NOTE:

(1) TACO CA500-250# BLADDER TANK IS ADJACENT TO SKID
TANK IS 24" DIA. X 7'-9" TALL

(2) DANFOSS VLT-HVAC VFD'S 25 H.P. NEMA 1 CONTROL PANEL NEMA 1



<p>© COPYRIGHT THIS DRAWING IS THE PROPERTY OF NAMCO DIV. OF JOHN R. NEAL & ASSOCIATES INC. DALLAS, TEXAS ITS USE WITHOUT THE EXPRESS WRITTEN PERMISSION IS PROHIBITED.</p>		<p>DATE 08/04/15</p>	<p>JOB NO. N-3225</p>	<p>REV. 1</p>
<p>ENG. RECORD</p>	<p>DRAWN BY RDO</p>	<p>CHECKED</p>	<p>APPROVED</p>	<p>DRAWING NO. 15-00037</p>
<p>CPV2-250-320</p>	<p>SCALE NONE</p>	<p>APPROVED</p>	<p>DATE 03/16</p>	<p>DUPLEX VFD BOOSTER SYSTEM</p>
<p>NO. REVISION</p>	<p>DATE</p>	<p>BY</p>	<p>APR</p>	<p>NAMCO DIV.</p>