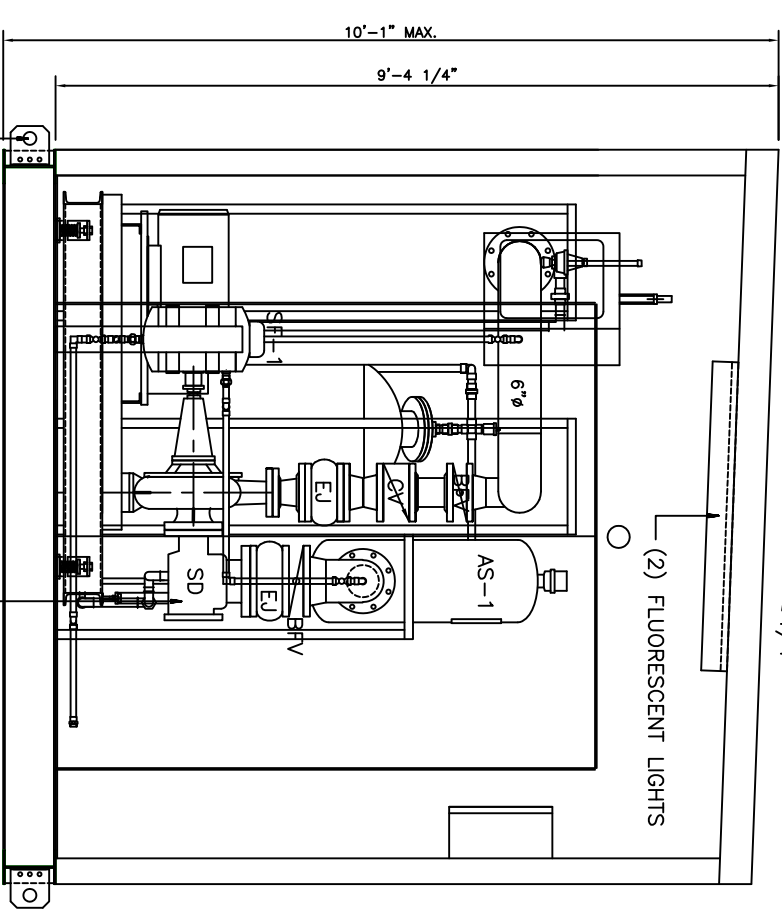
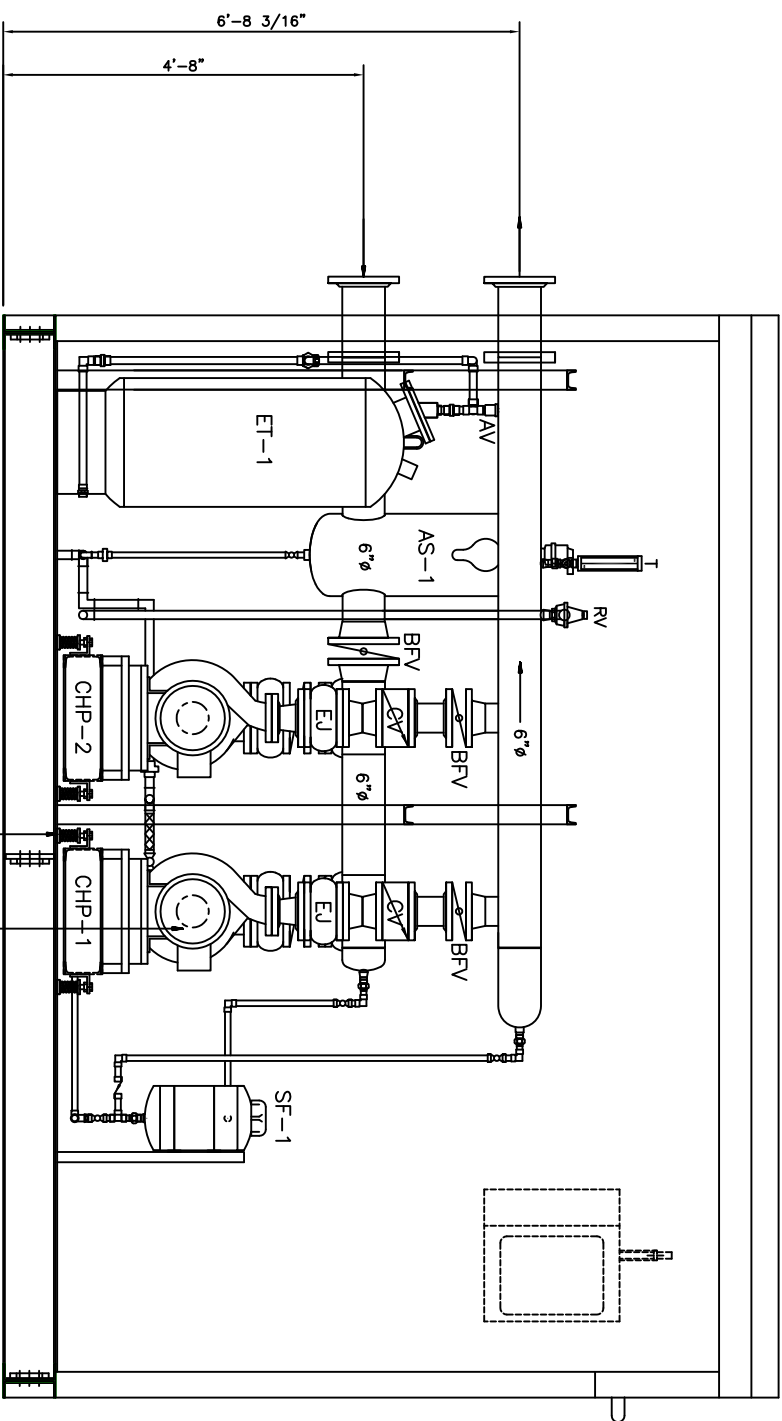
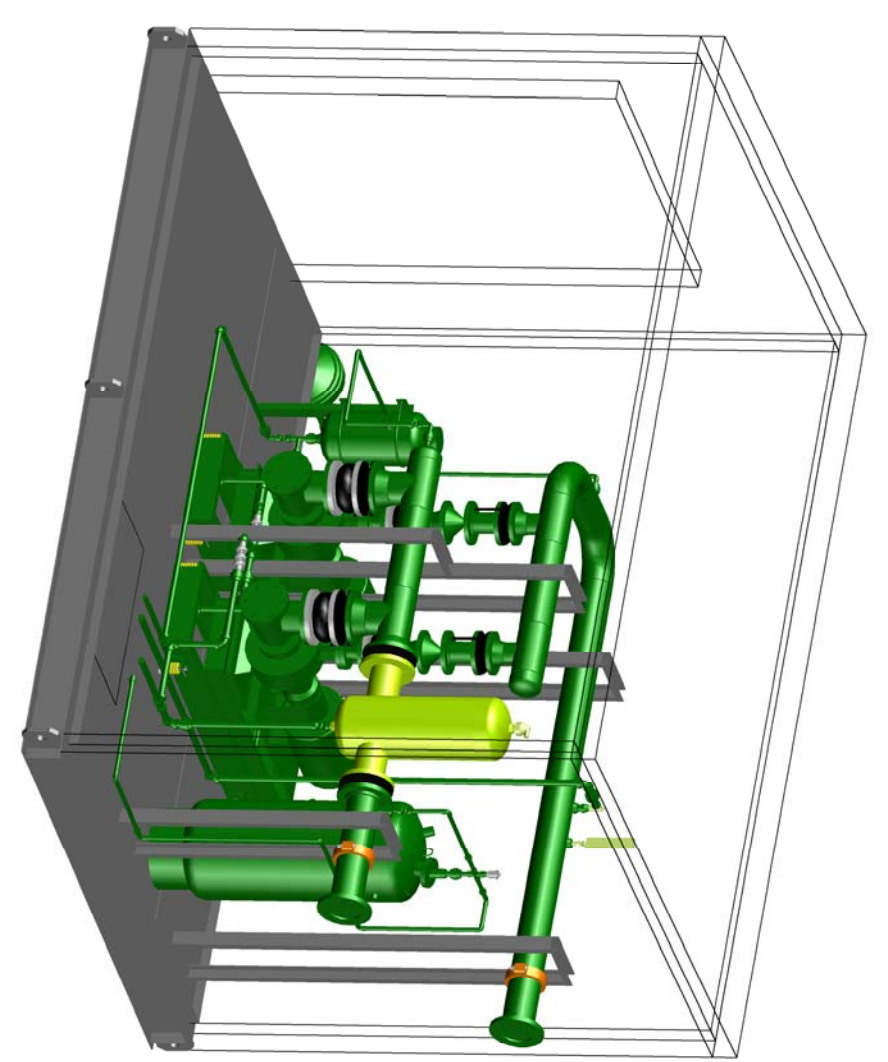
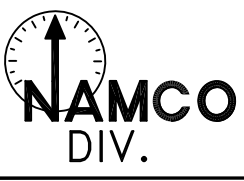


NOTE:
DRAINS AND WATER MAKE-UP ROUTED THRU FLOOR OPENING



(8) PUMP SPRING ISOLATORS
30 H.P. @ 1800 RPM ODP/PE MOTORS
(2) TACO F13013 PUMPS
460/3/60 HZ.

(6) REMOVABLE LIFT LUGS
(2) TACO SD60040 SUCTION DIFFUSERS



NO.	REVISION	DATE	BY	APR

© COPYRIGHT
THIS DRAWING IS THE PROPERTY OF
NAMCO DIV. OF JOHN R. NEAL &
ASSOCIATES INC. DALLAS, TEXAS ITS
USE WITHOUT THE EXPRESS WRITTEN
PERMISSION IS PROHIBITED.

UTD

ENG. RECORD	DATE
DRAWN BY RDO	10/02/12
CHECKED	
APPROVED	10/03/12
APPROVED	
SCALE NONE	

ETM200-60H	
JOB NO.	N-3121
DRAWING NO.	12-00037
REV.	0